

Product Description

The VEX-SPOT-PIX is an LED direct view luminaire suitable for outdoor applications for architectural and general lighting purposes with a UV stable lens. Offered in surface mount or recessed options for facades.

This VEX-SPOT uses a remote PSU driver to power the luminaire with inputs for DMX control.

The luminaire is offered in single white LED colour temperatures, Colour change formats in RGB, RGBA and RGBW options are available. It is ideal for applications such as architectural lighting & detail lighting. Manufactured from anodised aluminium the luminaire offers unrivalled light output in a small form factor.

Low voltage 48 V DC option available in single colour versions only.

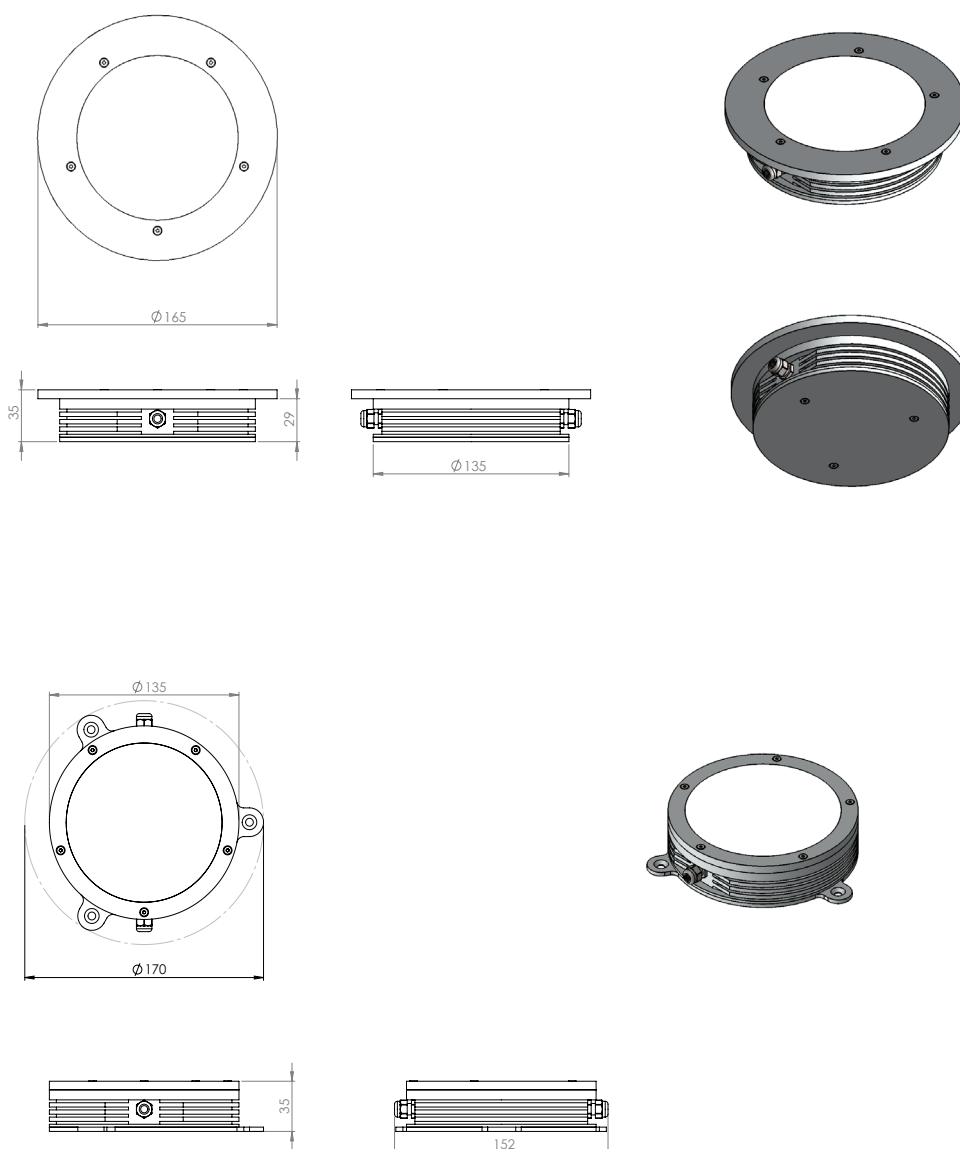
Dimming options: DMX

Optional flat lens

Technical

LED Drive voltage	48v	Maximum System Watts	12
Driver Type	Constant voltage	Remote Driver Input Voltage	110-240 VAC
Connections	Multipole connector	Operating Temperature	-10 to + 50
CRI	70-80	LED Type	HB LED
Number of LEDs	12 min	Expected Lifetime (Hrs)	50,000
Beam Angle (Degrees)	open	CCT (K)	2700, 3000, 4000, 5000
Dimensions (MM)	See Drawing	Weight (KG)	tbc
Ingress Protection (IP)	67	Finishes Available	Anodised colours

Dimensions



Order Code nomenclature

Product	Type	Qty LEDs	Colour Temp	LENS SHAPE
VEX	Spot-PIX	12	2700 K	SURFACE
	Spot-PIC-REC	12	3000 K	RECESSED
			4000 K	
			5000 K	
			RGB	
			RGBW	
			RGBA	

VEX-SPOT-PIX-12-4000-SURFACE