

Individually Controlled RGB Pixel



Product Description

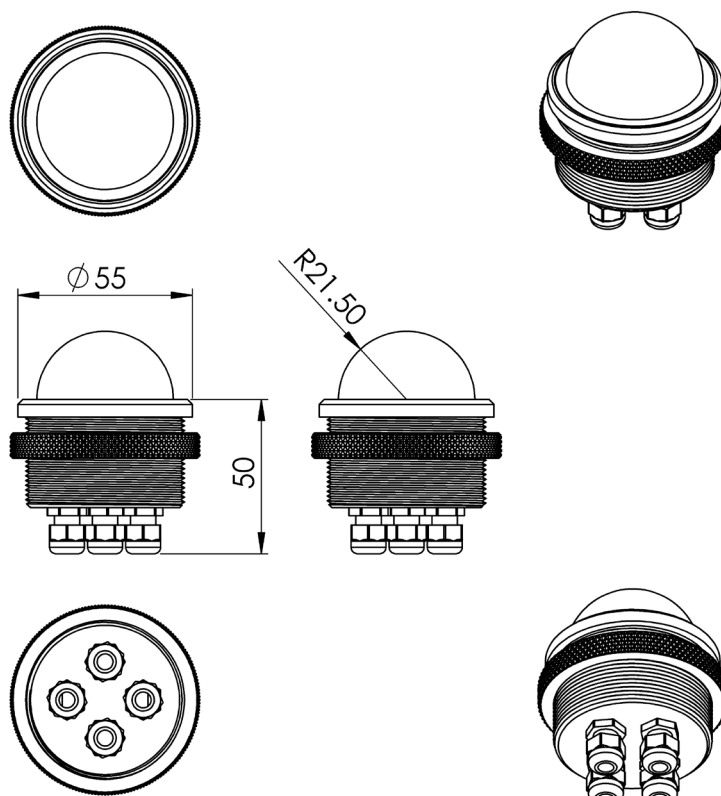
The VEX-PIXEL-RGB is a colour change pixel manufactured from 6082 Aluminium material for superior thermal characteristics in high ambient temperatures. This pixel contains RGB or RGBW chip leds designed for pixel applications. The module uses a low voltage input. This pixel is finished with a hard wearing and environment resistant AA25 anodised finish in either matt black or matt silver colours. Either frosted or opal domes are available. Fixing is achieved with a threaded ring to allow a recessed installation with only the dome and a minimal bezel protruding from the mounting surface.

- Auto address cascade system
- Facade lighting system
- Individually addressable 'pixels'
- Video / image playback
- DMX 512 compatible / Artnet
- Upto 125 modules in a string
- Cable pitch options

Technical

LED Drive Current (mA)	20 PER LED	Maximum Luminaire Watts	2W
Driver Type	Constant voltage DMX / Artnet	Remote Driver Input Voltage	110 - 240 VAC
Connections	Separate Power/Comms	Operating Temperature	-10°C to +50°C
CRI	N/A	LED Type	Low Power Tri-Chip NICHIA or Cree RGBW
Number of LEDs	6	Expected Lifetime (Hrs)	50,000
Beam Angle (Degrees)	N/A	LED Colour	RGB Colour Change, RGBW
Dimensions (MM)	50 x 55	Weight (KG)	TBC
Ingress Protection (IP)	67	Finishes Available	Anodised AA25, Black or Silver

Dimensions



Dimensions subject to change

Order Code nomenclature

Product	Anodised Colour	Lense Finish
VEX-PIXEL-RGB-BLK-FRS	Black	Frosted
VEX-PIXEL-RGB-BLK-OPL	Black	Opal
VEX-PIXEL-RGB-SIL-FRS	Silver	Frosted
VEX-PIXEL-RGB-SIL-OPL	Silver	Opal

VEX-PIXEL-RGBW-AnodisedColour-Lense Finish