

Semi frosted



Clear



Opal

Product Description

VEX-MIDIPIX provides sparkle white pixel effects for facade lighting projects

Individually cabled

Rated to IP66

PMMA UV stable lens

Aluminium back plate for heatsinking

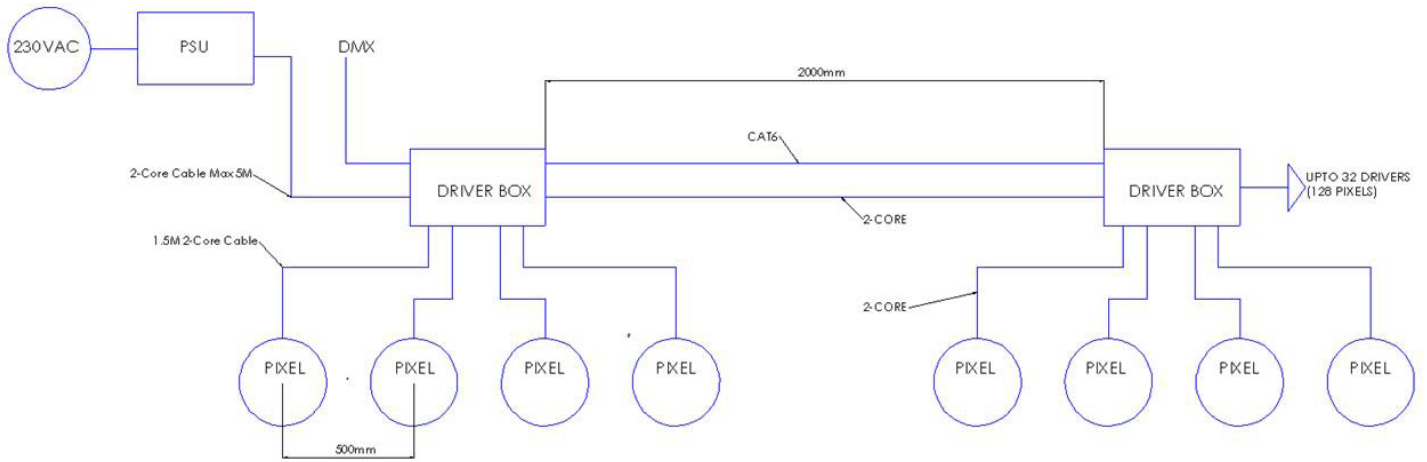
Low power consumption

6500K CCT

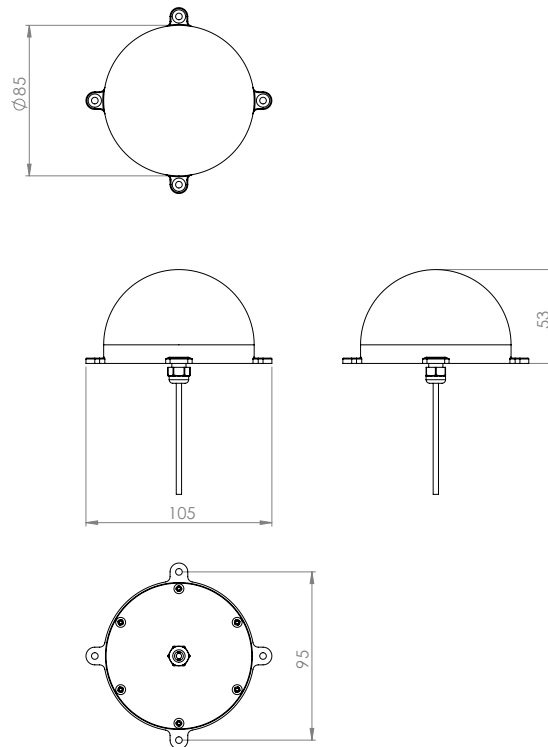
Technical

LED Drive Voltage	48 VDC	Maximum Luminaire Watts	1.2W
Driver Type	Constant voltage DMX	Remote Driver Input Voltage	110 - 240 VAC
Connections	Trailing lead	Operating Temperature	-10°C to +50°C
CRI	70 Min	LED Type	Low Power 5630
Number of LEDs	12	LED Colour CCT	6500K
Beam Angle (Degrees)	Custom diffused		
Dimensions (MM)	See drawing	Weight (KG)	TBC
Ingress Protection (IP)	66	Finishes Available	PMMA lens and aluminium

Wiring Schematic



Dimensions



Order Code nomenclature

Product	LED Colour	Lense Finish
VEX-MIDIPIXEL	6500K	Semi - Frosted
		Opal
		Clear