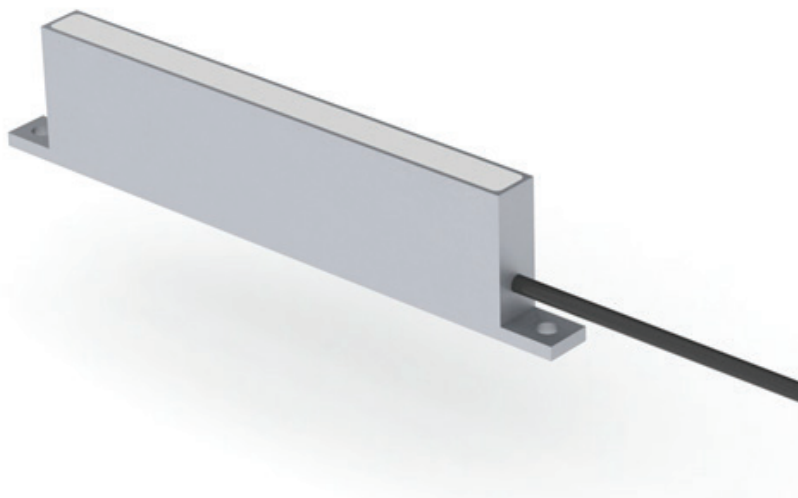


INDIVIDUALLY CONTROLLED RGB PIXEL



Product Description

The VEX-BLADE-RGB is a colour change pixel manufactured from Anodised 6082 Aluminium material. The front lense is an opal finish to allow for even light distribution from the pixel.

This pixel contains RGB tri chip leds designed for perfect colour mixing pixel applications.

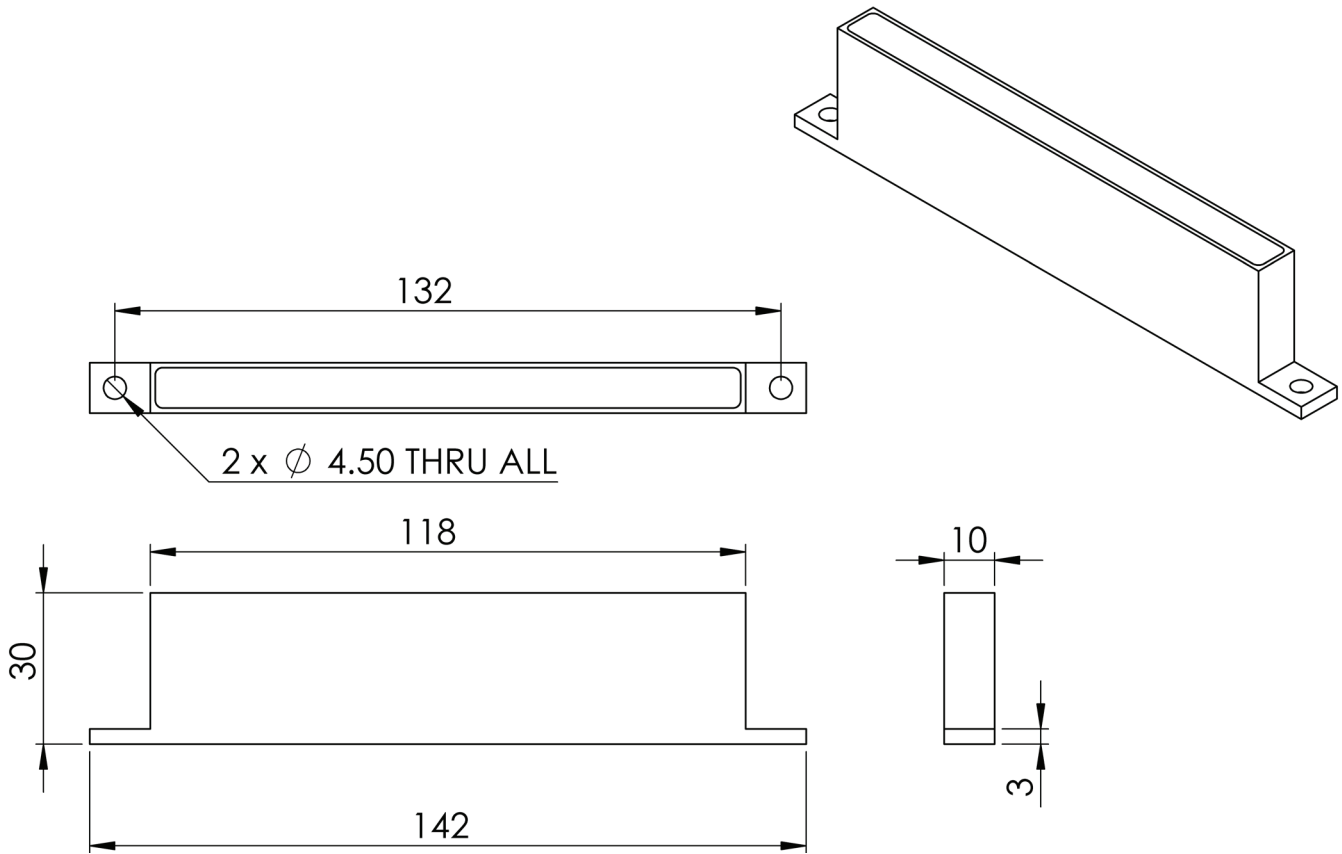
The modules uses a RGB DMX driver system as per the schematic on page 3 for power and control.

- Facade lighting system
- Individually addressable 'pixels'
- Video/ image playback
- DMX 512 compatible

Technical

LED Drive Current (mA)	20 PER LED	Maximum Luminaire Watts	3
Driver Type	Constant voltage DMX	Remote Driver Input Voltage	110 - 240 VAC
Connections	Multicore cable	Operating Temperature	-10°C to +50°C
CRI	n/a	LED Type	Low Power Tri-Chip NICHIA
Number of LEDs	12	Expected Lifetime (Hrs)	35,000
Beam Angle (Degrees)	N/A	LED Colour	RGB Colour Change
Dimensions (MM)	142 x 10 x 30	Weight (KG)	TBC
Ingress Protection (IP)	67	Finishes Available	AA25 Anodised Matte Silver

Dimensions

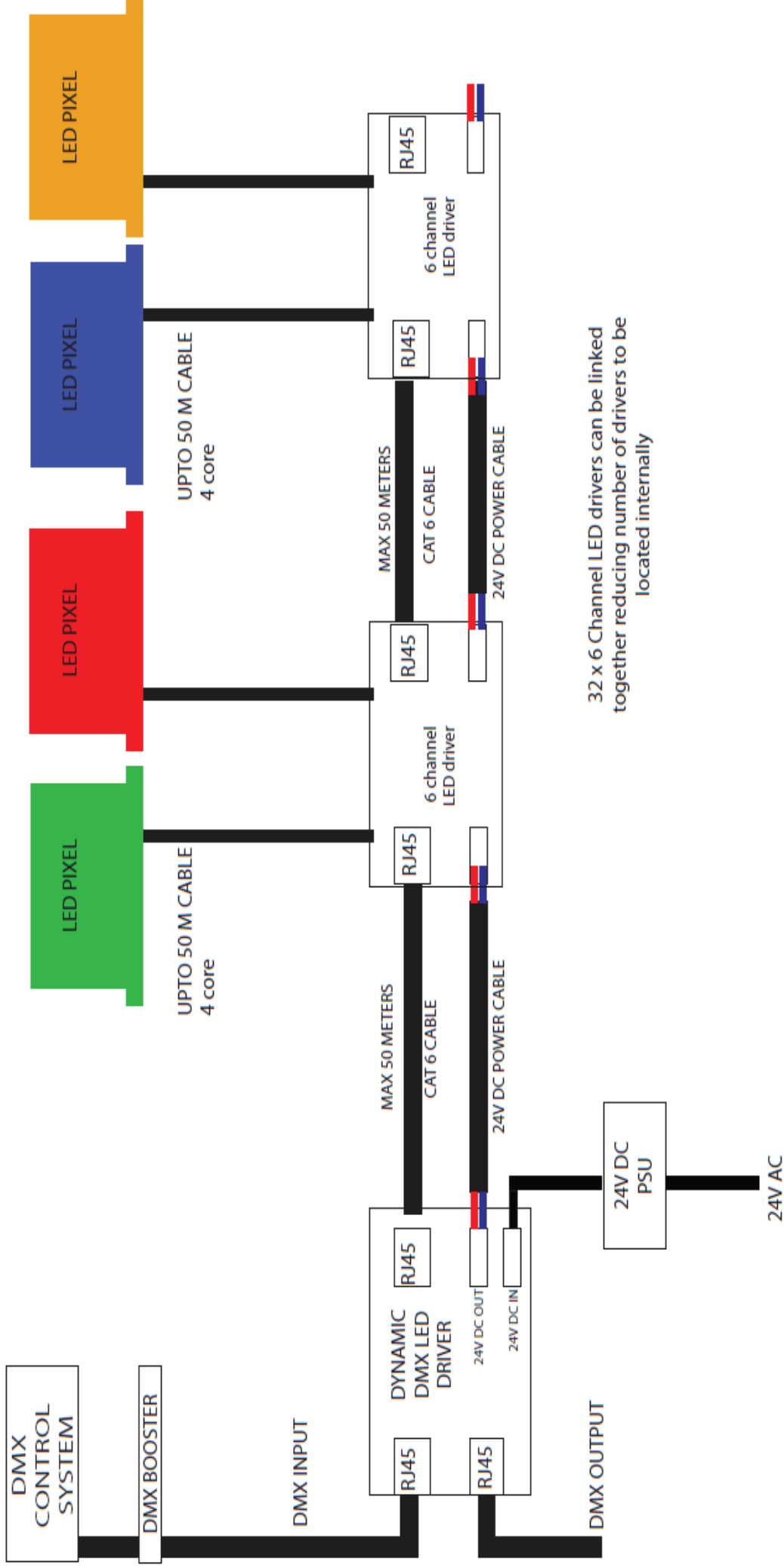


Order Code nomenclature

Product	Qty LEDs	Colour Temp	Beam Angle
Vex-BLADE-RGB-V2.0	12	RGB	N/A

VEX-BLADE-RGB-V2.0

BLADE PIXEL DMX SCHEMATIC V2.0



32 x 6 Channel LED drivers can be linked together reducing number of drivers to be located internally