

Product Description

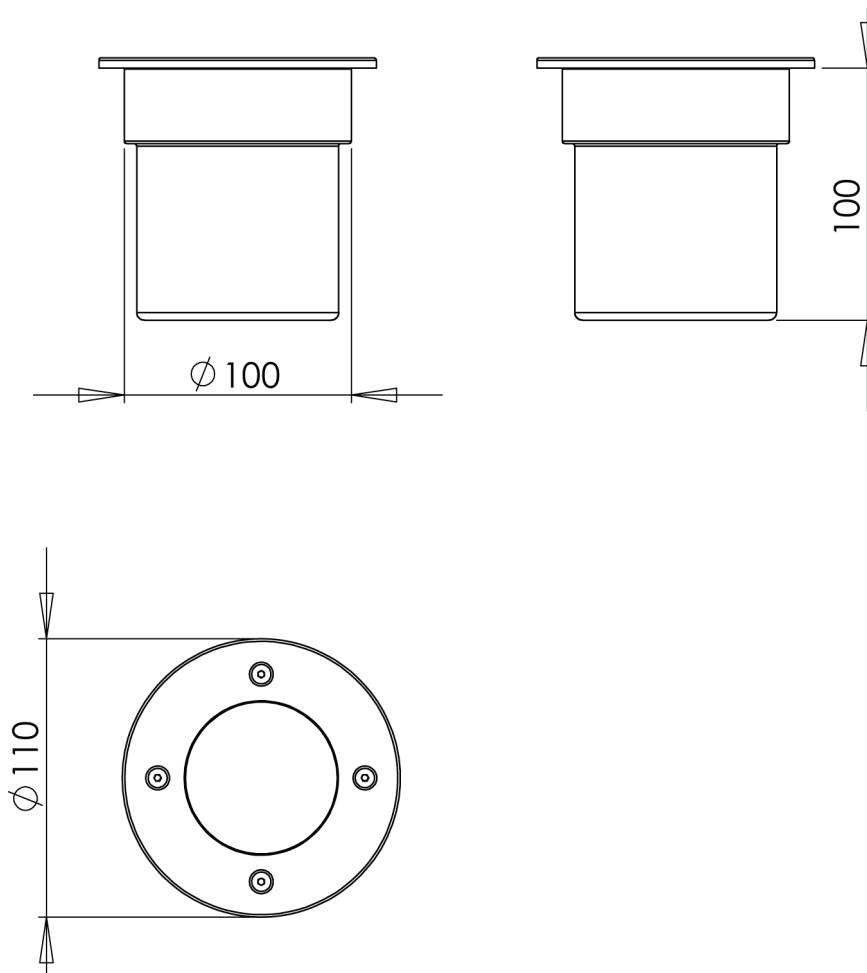
The VEX-Sparkle is a single colour pixel manufactured from CNC machined aluminium material. This pixel contains a single high output CREE LED chip ideal for sparkle pixel applications. The modules uses a remote DMX driver. This pixel is CNC manufactured from high grade anodised aluminium. An ABS fixing sleeve is provided for installation.

- Facade lighting system
- Individually addressable 'pixels' via remote driver channel
- sparkle playback
- DMX 512 compatible via remote driver

Technical

LED Drive Current (mA)	650	Maximum Luminaire Watts	5
Driver Type	Constant current DMX	Remote Driver Input Voltage	110 - 240 VAC
Connections	Multicore 3m cable	Operating Temperature	-10°C to +50°C
CRI	80 min	LED Type	CREE XML Easy White
Number of LEDs	1	Expected Lifetime (Hrs)	50,000
Beam Angle (Degrees)	open	LED Colour	4000k
Dimensions (MM)	110 dia x 100	Weight (KG)	TBC
Ingress Protection (IP)	67	Finishes Available	CNC machined aluminium

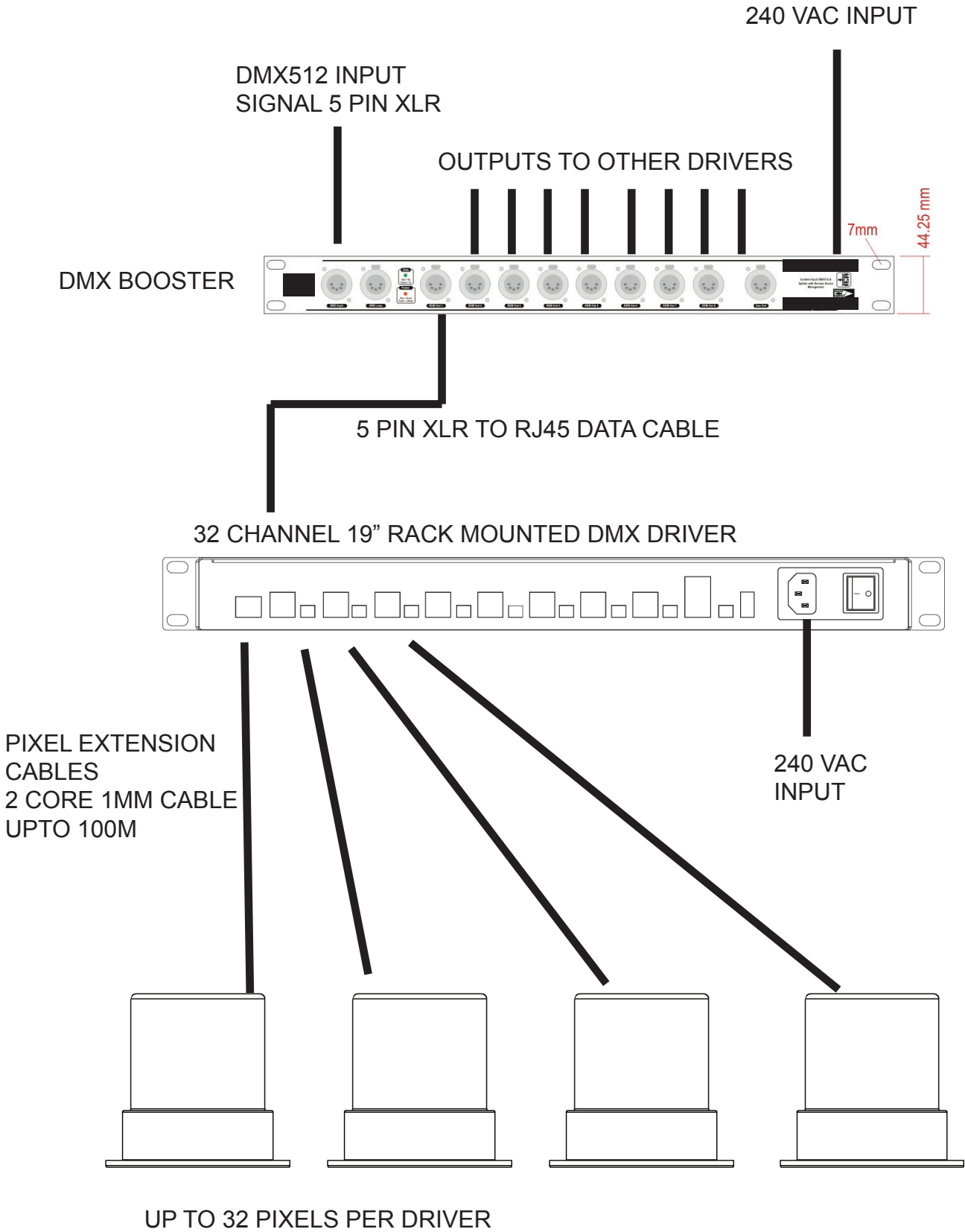
Dimensions



Order Code nomenclature

Product	Qty LEDs	Colour Temp	Beam Angle
VEX-Sparkle	1	4000 K	open

EXAMPLE Wiring schematic



subject to change