



Product Description

The VEX-SPOT is an LED luminaire suitable for indoor and outdoor applications for architectural and general lighting purposes.

This VEX-SPOT uses a remote LED driver to power the luminaire. Driver dimming options are available. Lumen outputs vary between 1200 and 2350 lumens depending on white drive currents. Luminaire circuits are fitted with onboard temperature sensing.

The luminaire is offered in single white LED colour temperatures, Colour change formats in RGB, RGBA and RGBW and has various options for beam angles. It is ideal for applications such as architectural lighting, landscape, detail and spot lighting. Manufactured from powder coated die cast aluminium the luminaire offers unrivalled light output in a small form factor. Various beam angles are available for a multitude of light spreads.

Low voltage 12-24 V DC option available in single colour versions only.

Dimming options: Switched, 1-10V, DALI, DMX

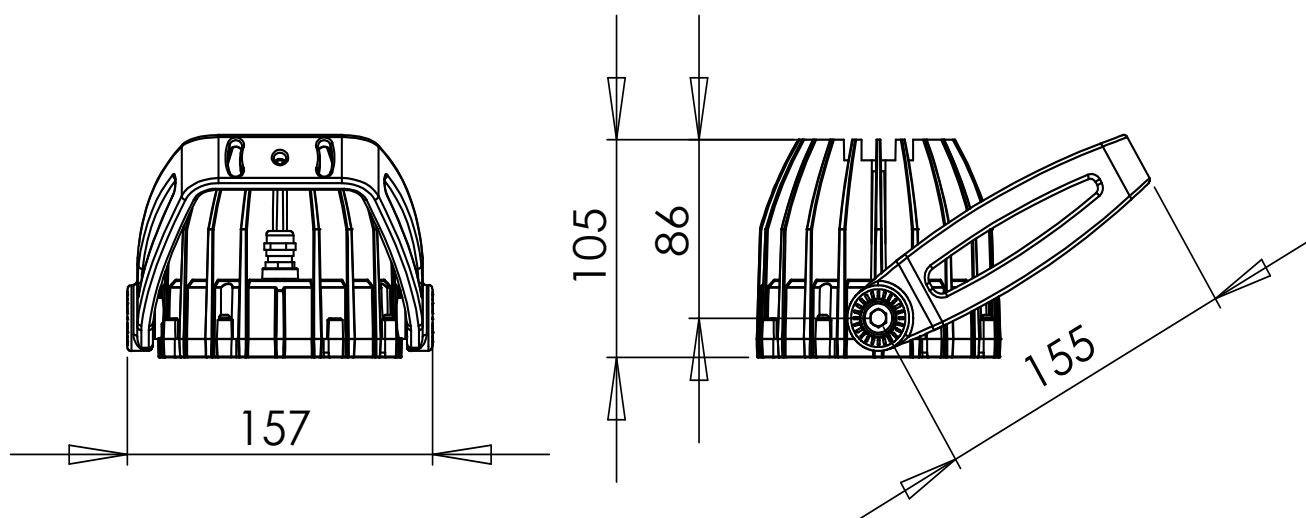
Colour change options: RGB, RGB+White, RGB+Amber

Optional ground spike can be ordered separately for landscape projects

Technical

LED Drive Current (mA)	350 - 700	Maximum System Watts	33
Driver Type	Constant Current	Remote Driver Input Voltage	110-240 VAC
Connections	Hard Wired	Operating Temperature	-10 to + 40
CRI	70-85	LED Type	HB LED
Number of LEDs	12	Expected Lifetime (Hrs)	50,000
Beam Angle (Degrees)	Pin spot, narrow, medium, wide, extra wide	CCT (K) (not color change)	2700, 3000, 4000, 5000
		Lumen output for whites	1200 - 2350
Dimensions (MM)	See Drawing	Weight (KG)	1.5
Ingress Protection (IP)	67	Finishes Available	RAL powder coated

Dimensions



Order Code nomenclature

Product	Type	Qty LEDs	Colour Temp	Beam Angle
VEX	Spot	12	2700 K	PIN SPOT - 004
			3000 K	NARROW - 010
			4000 K	MEDIUM - 015
			5000 K	WIDE -025
			RGB	EXTRA WIDE - 045
			RGBW	
			RGBA	

VEX-SPOT-12-4000-015

Product code example equates to a Vex Spot bracketed spot light containing 12 LED's in 4000 kelvin colour temperature with medium beam optics