



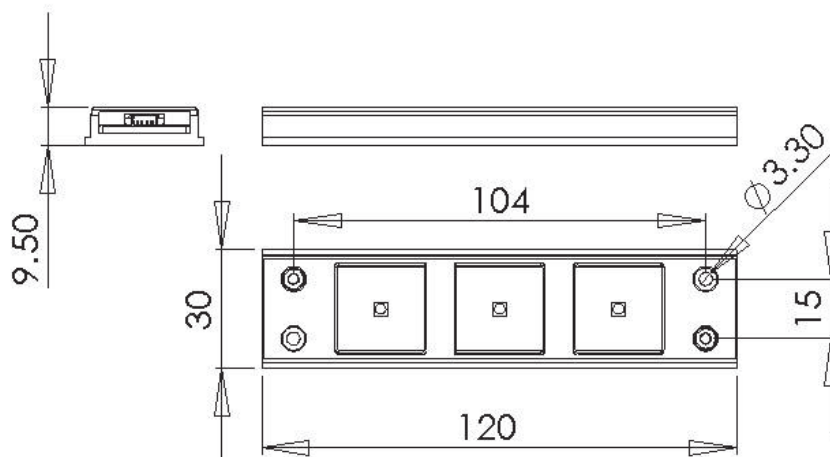
Product Description

The VX04-3 single colour LED module utilises 3 high power planar LEDs. The VX04-3 module is ideal for lighting architectural detail applications such as cove or cornice lighting. The module comes with a built in heat sink with 2 fixing hole points for ease of fixing onto a surface. Up to 12 modules can be connected in a string on a single remote LED driver. Single colour dimming options include 1-10V, DALI and Triac.

Technical

LED Drive Current (mA)	350	Driver Current	1.05A
		Maximum System Watts	4
Driver Type	Constant current	Remote Driver Input Voltage	110 - 240VAC
Connections	Miniature SMD	Operating Temperature	-10c to +40c
CRI	75-85	LED Type	High power
Number of LEDs	3	Expected Lifetime (Hrs)	50,000
Beam Angle (Degrees)	110	CCT	2700k, 3000k, 4000k, 5000k
Dimensions (MM)	120 x 30 x 10	Weight (KG)	0.2
Ingress Protection (IP)	20	Finishes Available	Anodised black, black ABS

Dimensions



Order Code nomenclature

Product	Qty LEDs	Colour Temp (K)	Beam Angle
VEX-VX04	3	2700	Open beam - 110
		3000	
		4000	
		5000	

VEX-VX04-3-4000-110

Product code example equates to a VX04-3 LED module containing 3 LEDs in 4000 kelvin colour temperature.