



Product Description

This architectural LED luminaire is ideal for high power wall grazing, facade lighting and other high power architectural lighting applications.

This luminaire incorporates the latest high power LED technology utilising 180 high power LEDs along with patented LED lenses.

The luminaire contains DMX 512 RDM driver technology which can be addressed remotely for control and dimming. The VEX-POWER180 comes with adjustable brackets that allow the fitting to be angled and locked into the desired aiming position.

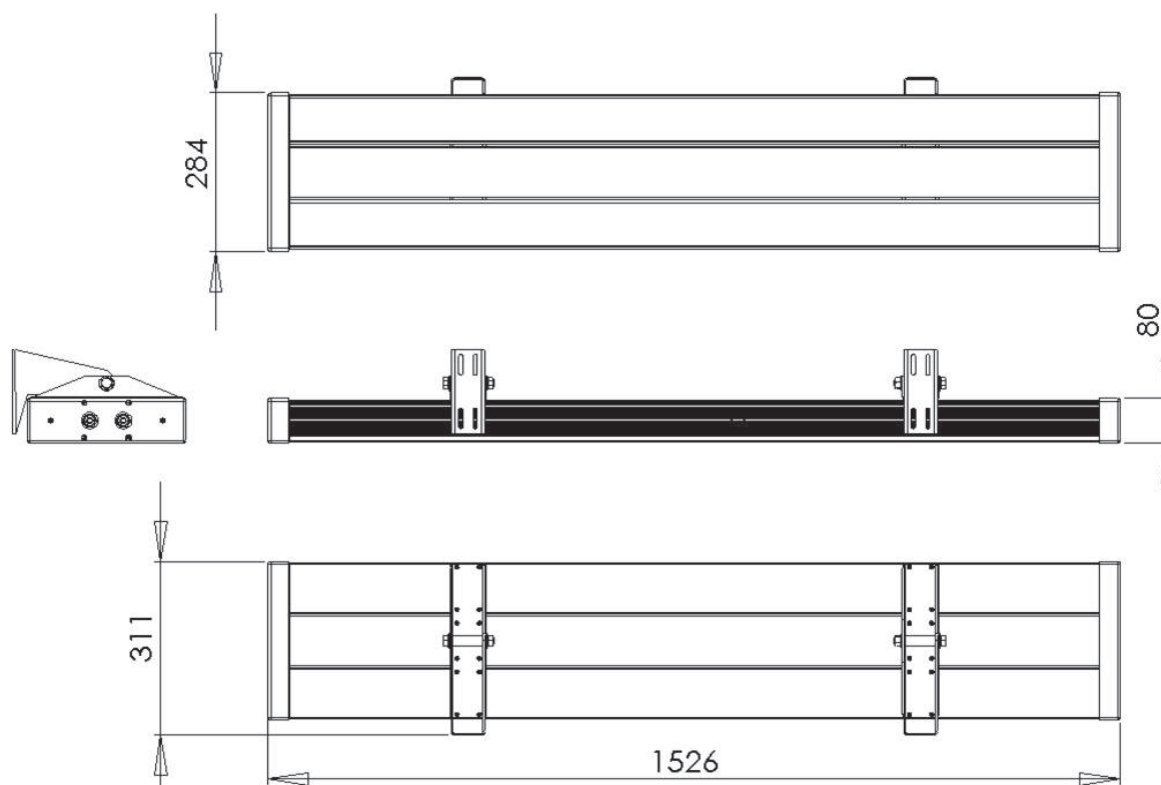
Option of beam angles. Available in both 3 & 4 channel colour change or single colour.

Control option include DMX512 and DALI.

Technical

| | | | |
|-------------------------|--|-------------------------|--|
| LED Drive Current (mA) | 350 - 700 | Maximum System Watts | 300 |
| Driver Type | DMX 512 RDM, DALI Driver | Input Voltage | 110 - 240 VAC |
| Connections | Bulgin power & Neutrix data 5 Pin XLR | Operating Temperature | -10°C to +40°C (with thermal protection) |
| CRI | 70 - 85 | LED Type | HB LED |
| Number of LEDs | 180 | Expected Lifetime (Hrs) | 50,000 |
| Beam Angle (Degrees) | Narrow, Medium, Wide, Extra Wide, Wallwash | CCT (K) | 2700, 3000, 4000, 5000 |
| | | Lumen Output | 17000 - 26000 |
| Dimensions (MM) | See drawings | Weight (KG) | 22 |
| Ingress Protection (IP) | 66 | Finishes Available | Anodised silver / powder coated brackets |

Dimensions



Order Code nomenclature

| Product | Qty LEDs | Colour Temp (K) | Beam Angle |
|-----------|----------|-----------------|------------------|
| VEX-POWER | 180 | 2700 | NARROW - 010 |
| | | 3000 | MEDIUM - 015 |
| | | 4000 | WIDE - 025 |
| | | 5000 | EXTRA WIDE - 045 |
| | | RGB, RGBW, RGBA | WALL WASH - 825 |

VEX-POWER-180-4000-015

Product code example equates to a VEX-POWER80 LED luminaire containing 180 LEDs in 4000 kelvin colour temperature with medium beam optics