

## Product Description

The VEX-LUMAERA is an OEM LED light engine that offers lighting manufacturers ease of integration of the latest LED technology. Our module is rated at 1200 and 2000 lumens respectively and is designed to fit a 95mm diameter heatsink. Vexica also offer an OEM heatsink and 111mm twist and clip on reflectors in various beam angles. Mains TRIAC dimmable LED driver makes integration simple. The VEX-LUMAERA has a maximum power rating of 25 watts and delivers excellent quality of light from our proprietary mixing technology. High CRI options are available for more colour sensitive installations. The module can be integrated into a luminaire via four fixing screws, the luminaire offers sufficient thermal dissipation. (Consult Vexica for more information) It is recommended that OEMs incorporate our die cast aluminium heatsink into luminaire designs. This heatsink has two threaded and tapped holes on the rear to allow installation. The twist and clip reflector allows ease of integration into standard downlight bezels.

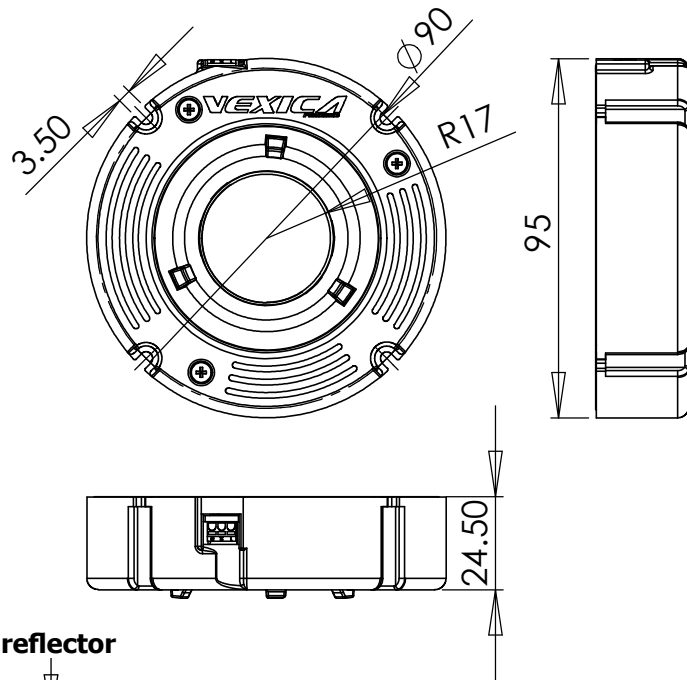


## Application Uses

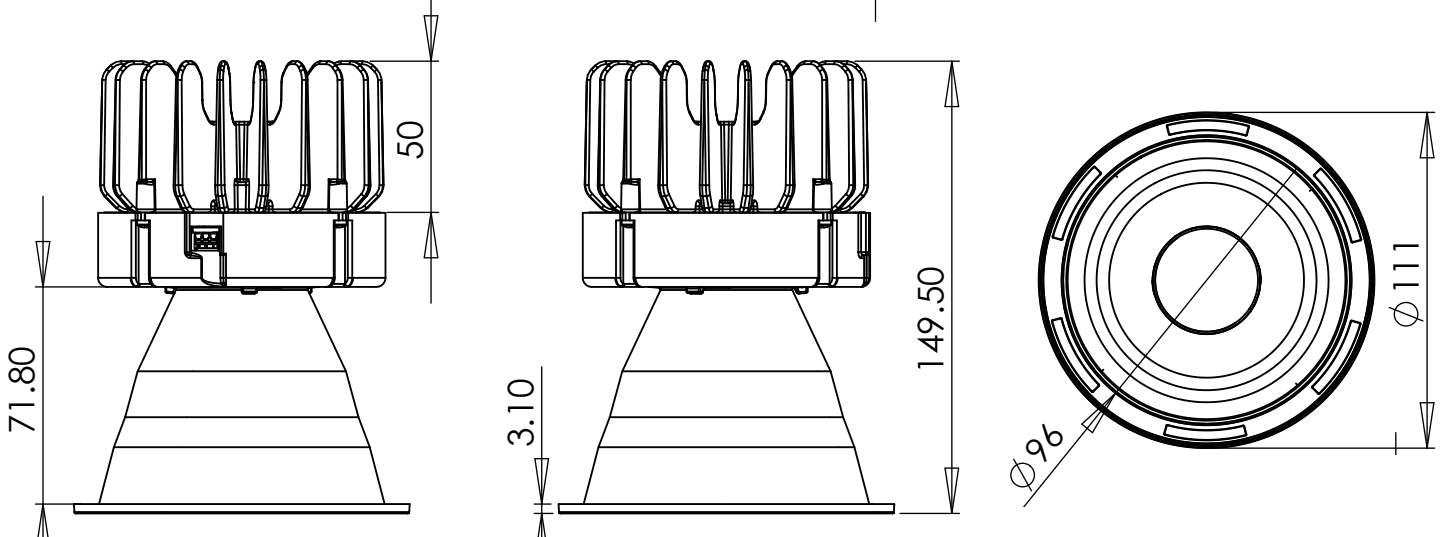
- Downlights
- Track lights
- Architectural spot lights
- Feature lighting
- Pendant lighting
- Amenity lighting
- 2D back lighting

Electrical Data			
<b>Max ta</b>	40 Deg C	<b>Power (Watts)</b>	Max 25
<b>Driver Type</b>	TRIAC	<b>Input Voltage</b>	220-240
<b>Connections</b>	Push fit mains connector		
Optical Data			
<b>CRI</b>	70-93	<b>LED Type</b>	Z5P, Z5M, XTE
<b>Number of LEDs</b>	12	<b>Expected Lifetime (Hrs)</b>	50K
<b>Beam Angle (Degrees)</b>	Narrow, medium, wide		
Mechanical Data			
<b>Dimensions Module Only (MM)</b>	95mm dia, H: 24.5	<b>Weight (KG)</b>	0.2
<b>Ingress Protection (IP)</b>	20	<b>Finishes Available</b>	White

## Dimensions - Module Only



## Dimensions - Module with reflector



### Order Code

Product	Type	Qty LEDs	Colour Temp	Beam Angle with reflector
VEX	LUMAERA	12	2700	Narrow
			3000	Medium
			4000	Wide
			5000	

### VEX-LUMAERA-12-2700-Narrow

Product code example equates to a VEX-LUMAERA light engine with 12 LEDs in 2700 kelvin colour temperature with narrow reflector

\*To order Vexica's die cast aluminium heatsink use part number VEX-95-HS

\*\*Module also sold separately without reflector